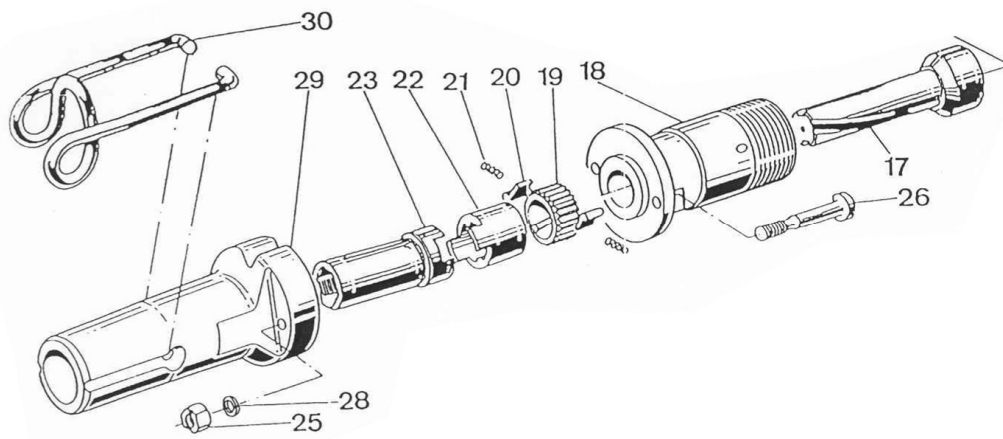
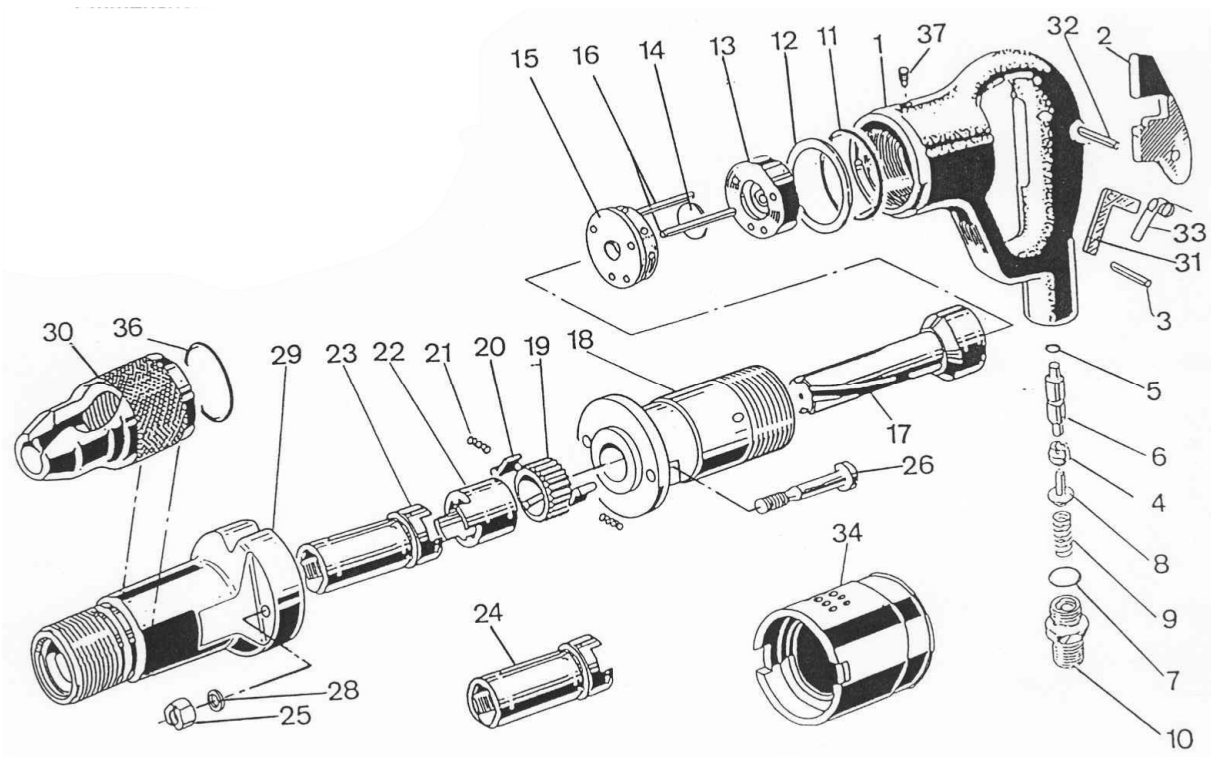


# PFF10



# PFF10 SPARE PARTS

DESCRIPTION	REP. PLAN	REFERENCE FAVRE
HANDLE BODY	1	50501
COMPLETE HANDLE	1 Bis	50502
SAFETY TRIGGER	2	50602
TRIGGER PIN	3	50603
PLASTIC VALVE	4	50106
PUSH-BUTTON JOINT	5	50805
PUSH-BUTTON	6	50806
NIPPLE JOINT	7	50836
STEEL VALVE	8	50808
VALVE SPRING	9	50809
NIPPLE	10	50810
HANDLE BRAKE	11	50604
INNER HANDLE JOINT	12	50605
INNER HANDLE JOINT	12 Bis	50626
UPPER SEAT	13	50513
PASTILLE	14	50815
LOWER SEAT	15	50515
SPINDLE	16	50516
PISTON	17	50517
CYLINDER GUIDE	18	50518
RATCHET	19	50519
CATCH	20	50520
CATCH SPRING	21	50521
DRIVE	22	50522
BUSHING H19x108	23	50523
BUSHING H22x108	24	50524
BUSHING H19x82	24	50535
BUSHING H22x82	24	50536
ASSEMBLY NUT	25	50525
ASSEMBLY BOLT	26	50526
NUT LOCK WASHER	28	50528
FORE-CYLINDER	29	50529
RETAINER H108	30	50530
RETAINER H82	30 Bis	50531
SCREWED RETAINER	30 TER	50620
SAFETY LATCH	31	50131
LATCH PIN	32	50132
LATCH SPRING	33	50133
MUFFLER	34	50534
COMPLETE SIDE HANDLE	35	50538
HANDLE LOCKING SCREW	37	50537